

Heel A-16 through I-24 get larger in 1mm increments however, the heel height dimension is not the same as on a grand repetition.
The upright dimensions are shown above.

Metric

Used On	NA	
Material	NA	
Finish	NA	
Drawn By	Bruce Clark	Date 11/27/19
Checked By		

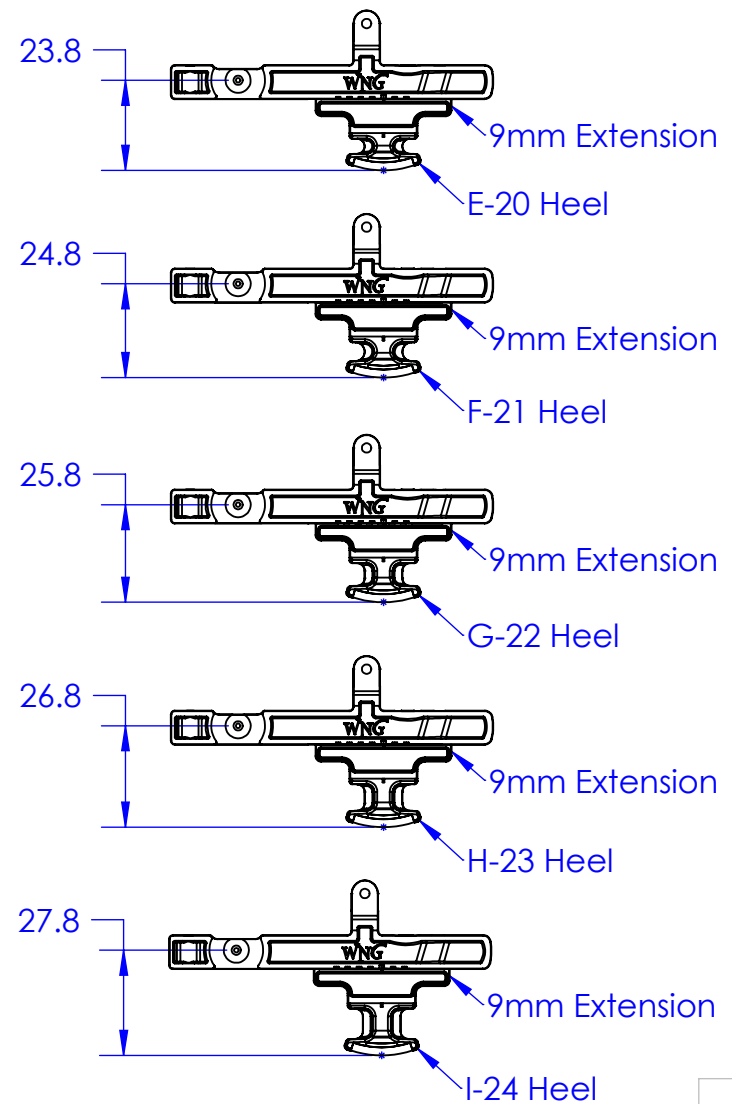
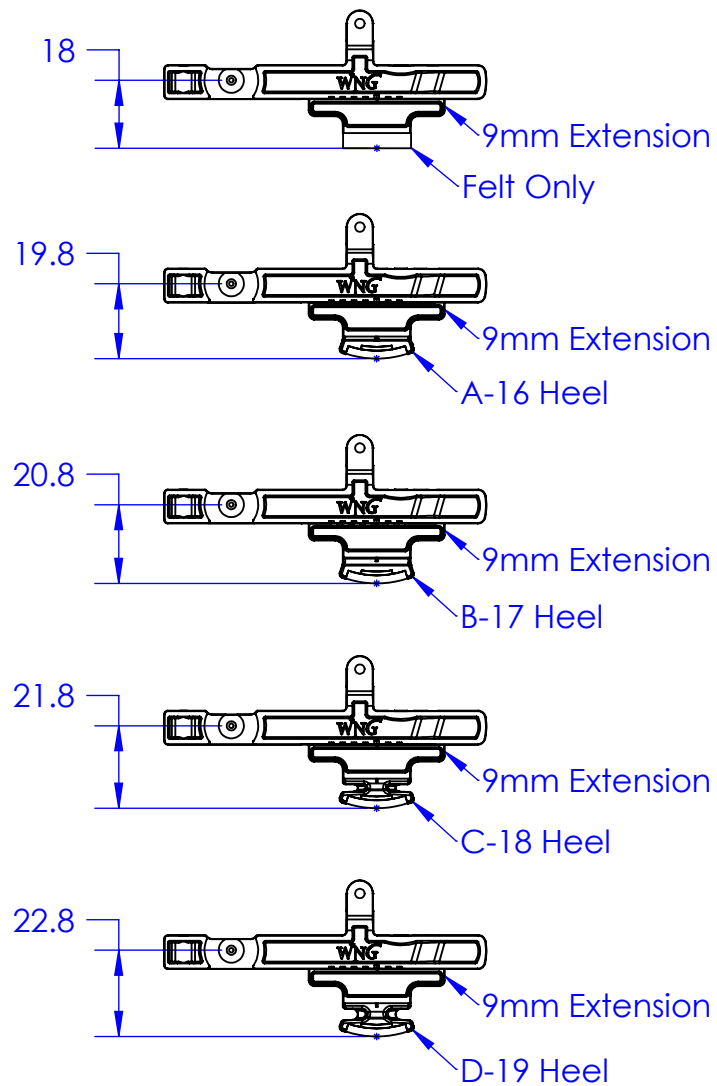
Wessell, Nickel & Gross
35 Duncan St.
Haverhill, MA 01830
Phone 978.374.8888 Fax 978.374.8080

PROPRIETARY AND CONFIDENTIAL

The information contained in this drawing is the sole property of Wessell, Nickel & Gross. Any reproduction, in part or as a whole, without the written permission of Wessell, Nickel & Gross is prohibited.

**Upright Heel Heights
No Extension - 9 Heels**

Size	Part No	Rev.
A	NA	R112719-00
Mm Tolerance: ± 0.05 , Ang $\pm 0.5^\circ$		Scale 1:2
		Sheet 1 of 3



Heel A-16 through I-24 get larger in 1mm increments however, the heel height dimension is not the same as on a grand repetition.

The upright dimensions are shown above.

Metric

Used On	NA
Material	NA
Finish	NA
Drawn By	Bruce Clark
Date	11/27/19
Checked By	

Wessell, Nickel & Gross
35 Duncan St.
Haverhill, MA 01830
Phone 978.374.8888 Fax 978.374.8080

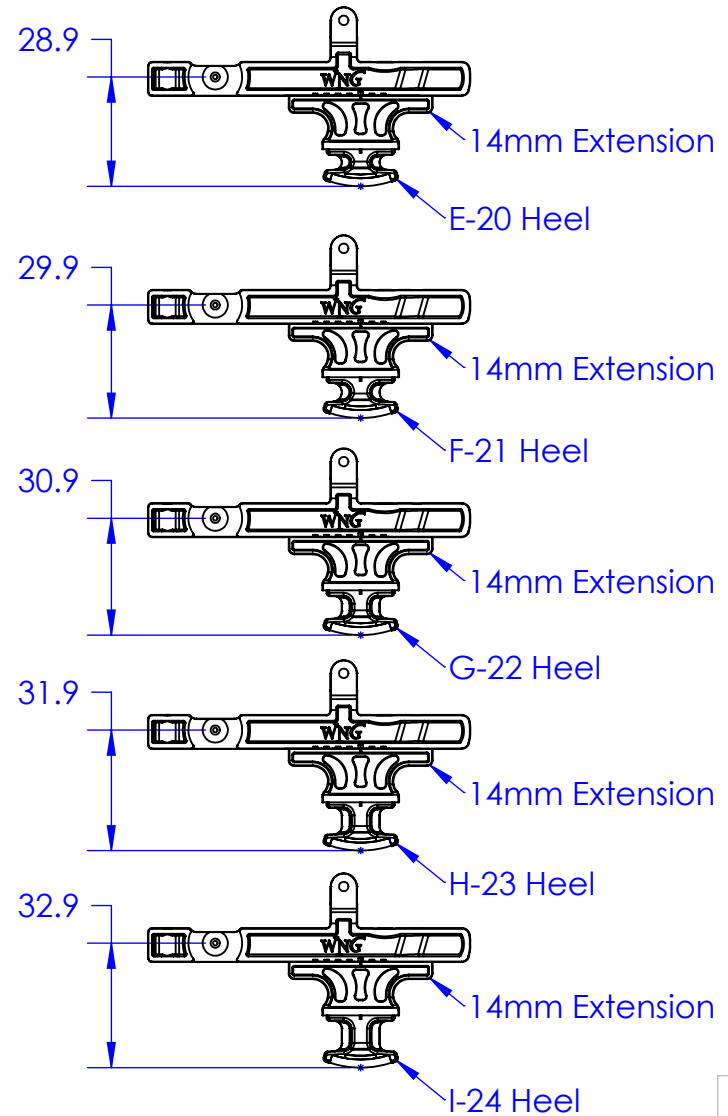
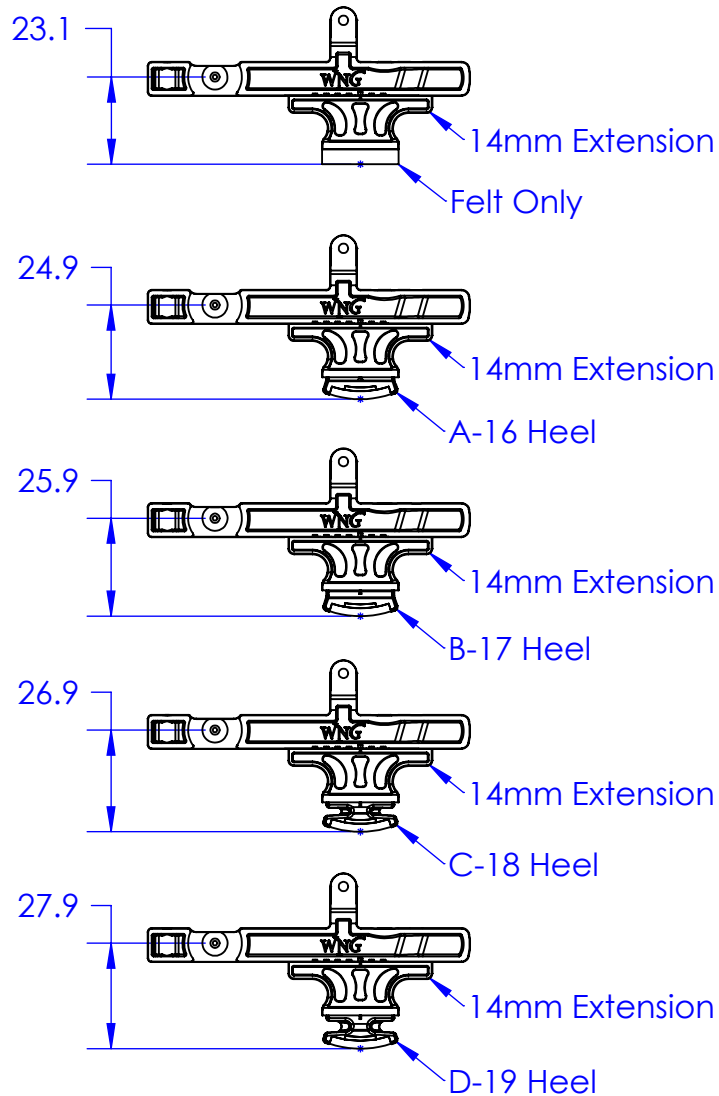
PROPRIETARY AND CONFIDENTIAL

The information contained in this drawing is the sole property of Wessell, Nickel & Gross. Any reproduction, in part or as a whole, without the written permission of Wessell, Nickel & Gross is prohibited.

Upright Heel Heights

9mm Extension - 9 Heels

Size	Part No	Rev.
A	NA	R112719-00
Mm Tolerance: ± 0.05 , Ang $\pm 0.5^\circ$		Scale 1:2
		Sheet 2 of 3



Heel A-16 through I-24 get larger in 1mm increments however, the heel height dimension is not the same as on a grand repetition.

The upright dimensions are shown above.

Used On	NA	
Material	NA	
Finish	NA	
Drawn By	Bruce Clark	Date 11/27/19
Checked By		

PROPRIETARY AND CONFIDENTIAL

The information contained in this drawing is the sole property of Wessell, Nickel & Gross. Any reproduction, in part or as a whole, without the written permission of Wessell, Nickel & Gross is prohibited.

Mm Tolerance: ± 0.05 , Ang $\pm 0.5^\circ$

Metric		
Wessell, Nickel & Gross		
35 Duncan St. Haverhill, MA 01830		
Phone 978.374.8888 Fax 978.374.8080		
Upright Heel Heights		
14mm Extension - 9 Heels		
Size	Part No	Rev.
A	NA	R112719-00
Scale 1:2		Sheet 3 of 3